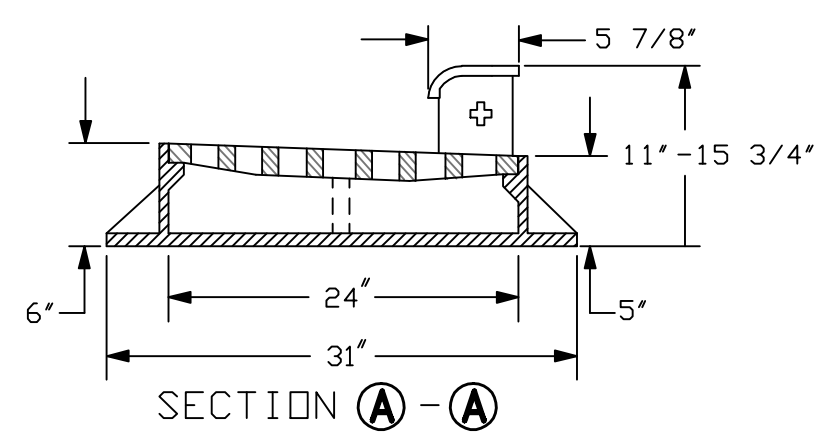
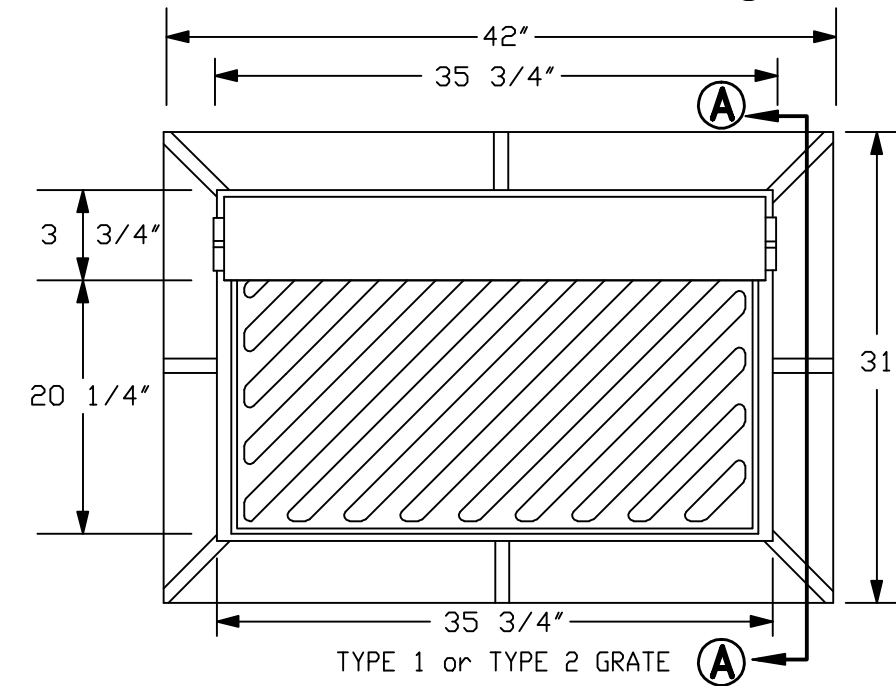
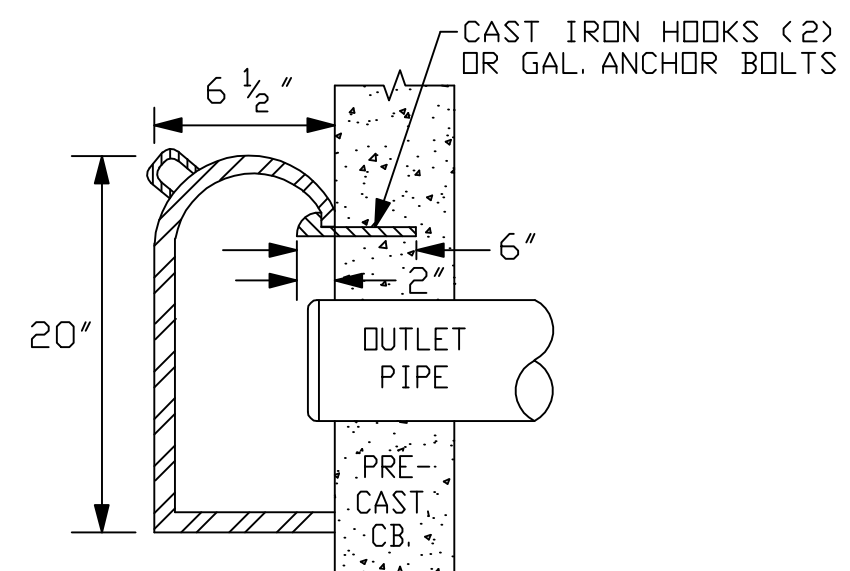
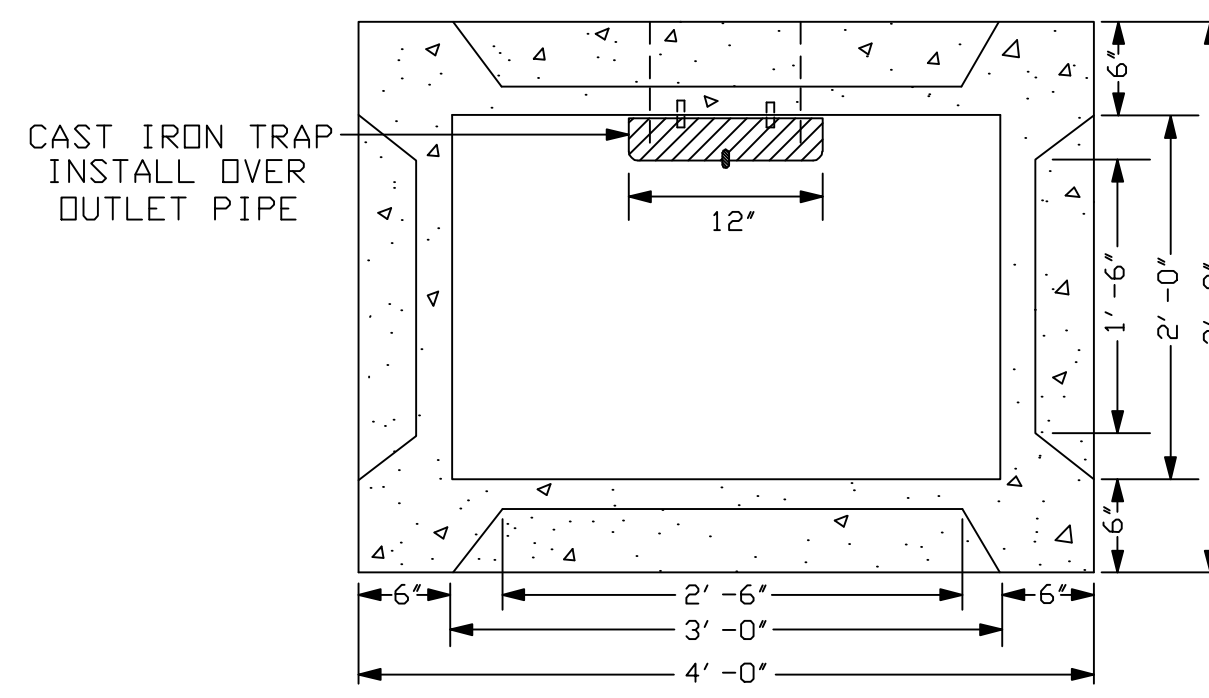


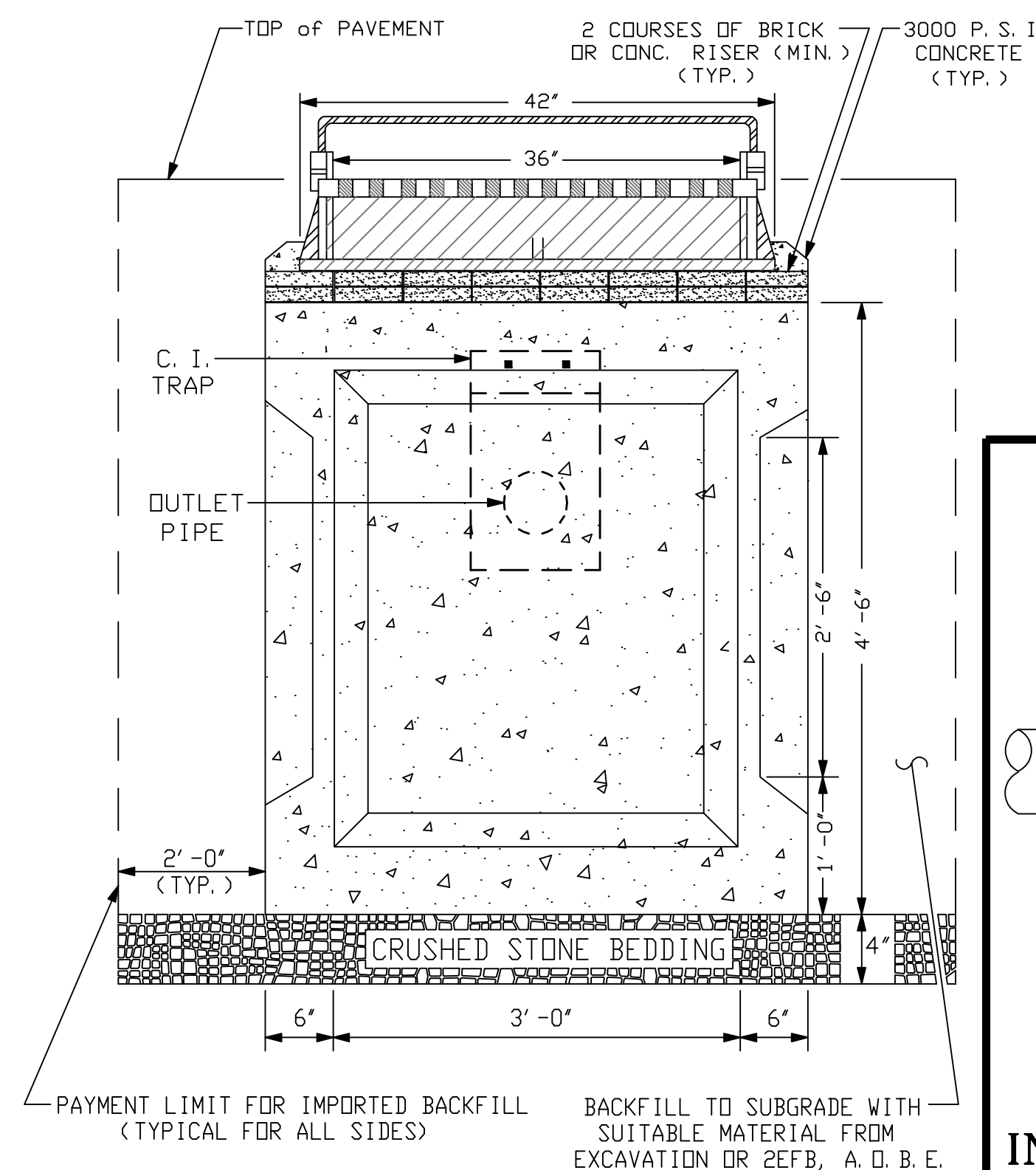
204V INLET FRAME & GRATE
 (FOR USE WHERE CURB BOX CANNOT BE USED, A. D. B. E.)
 NO SCALE



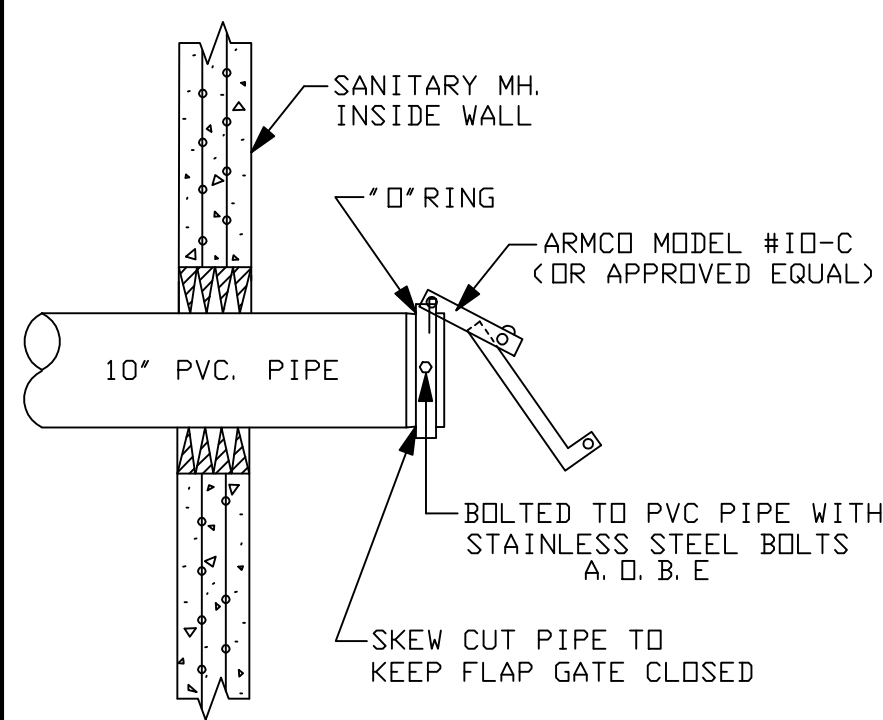
204V CURB INLET FRAME, GRATE & CURB BOX
 NO SCALE



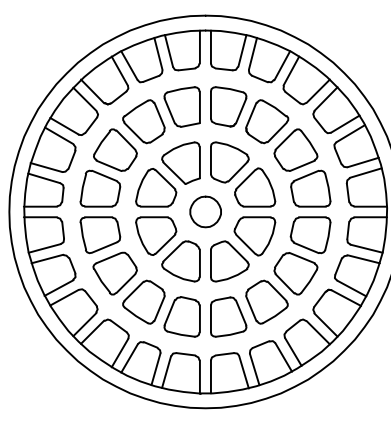
204V CAST IRON CATCHBASIN TRAP
 NEENAH R-3701-10
 (OR APPROVED EQUAL)
 NO SCALE



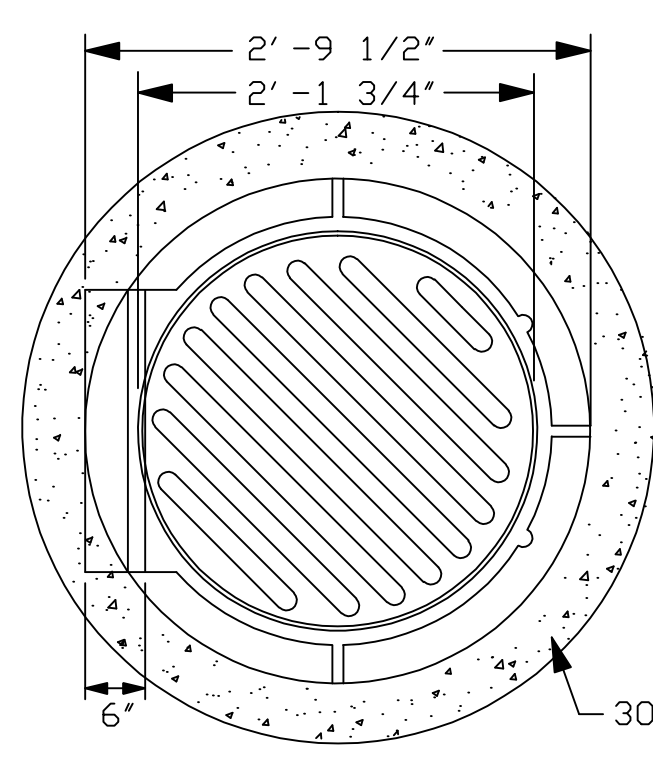
STANDARD CATCHBASIN
 ITEM 204V
 NO SCALE



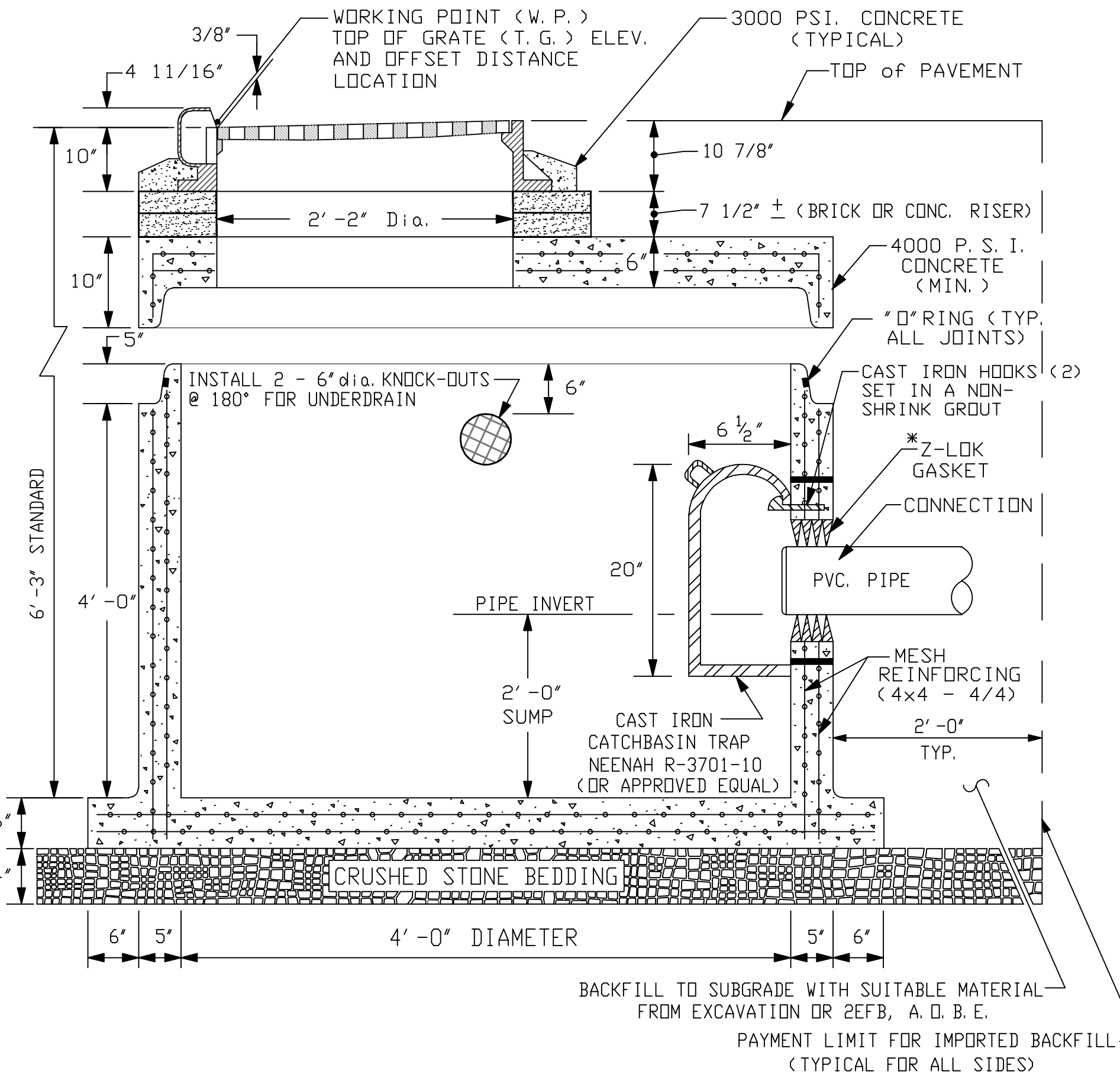
INSTALLATION OF FLAP GATE FOR SANITARY OUTFALL
 ITEM 30 FG
 NO SCALE



TYPE "C" GRATE
 (FOR USE ON ITEM 204BT)

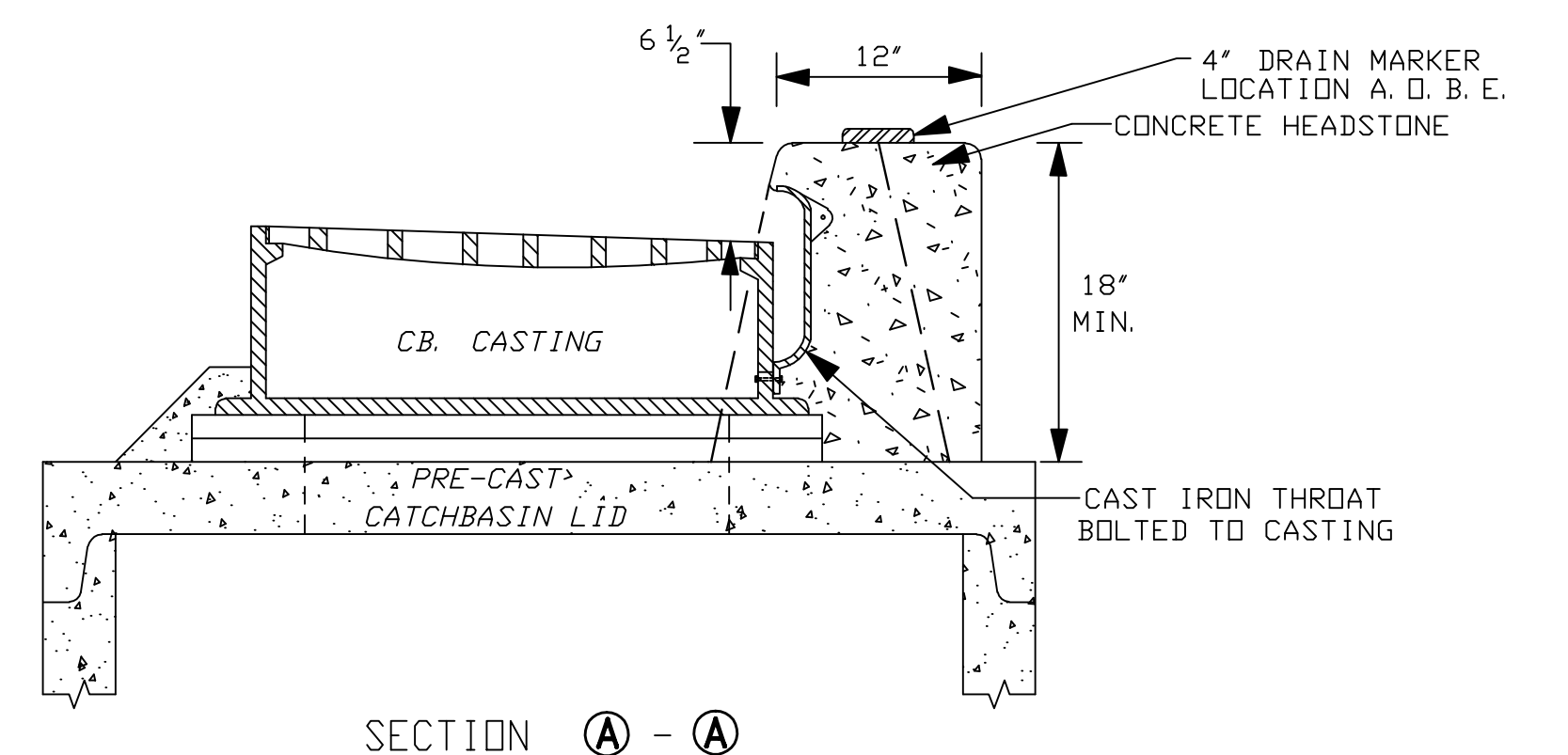


STANDARD 204A CATCHBASIN FRAME, GRATE, & CURB BOX
 NEENAH CASTING R-3250-A (OR APPROVED EQUAL)
 A. S. T. M. A 48-83, CLASS 35
 NO SCALE

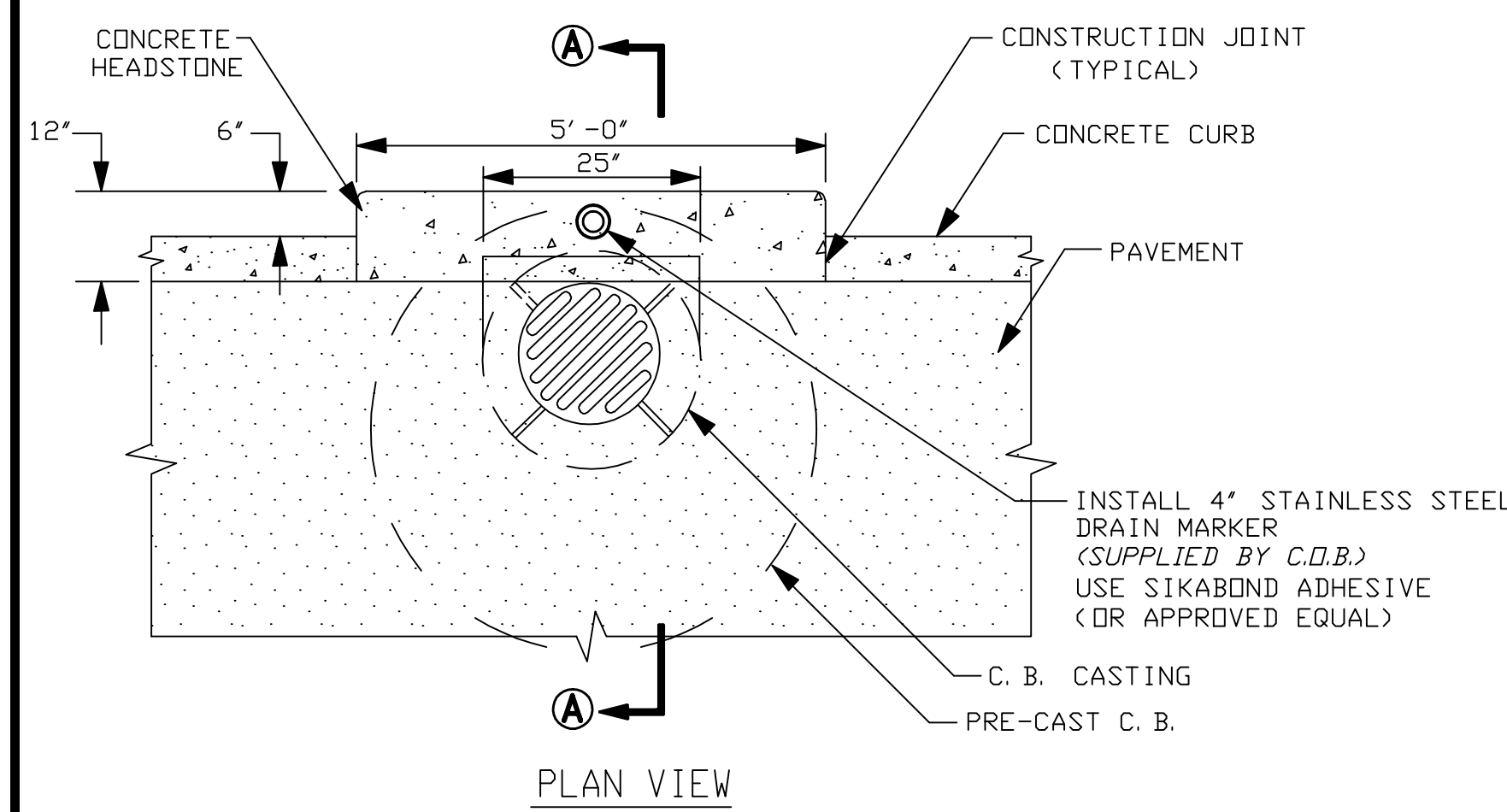


STANDARD CATCHBASIN - ITEM 204A
 ECCENTRIC CATCHBASIN
 NO SCALE

* NOTE: Z-LOK GASKETS MAY BE OMITTED IF CONNECTIONS ARE MODIFIED (SEE SPECIFICATIONS).
 A 2" TALL x 1" WIDE KNOCK-OUT MAY BE INSTALLED IN LIEU OF Z-LOKS WHEN EXISTING LATERAL IS TO REMAIN.



SECTION A - A



PLAN VIEW

NOTE: HEADSTONE SHALL BE PAID FOR AS TWICE THEIR MEASURED LENGTH UNDER ITEM 97 OR 97R.

204A CATCHBASIN - HEADSTONE DETAIL
 NO SCALE

NOTES:

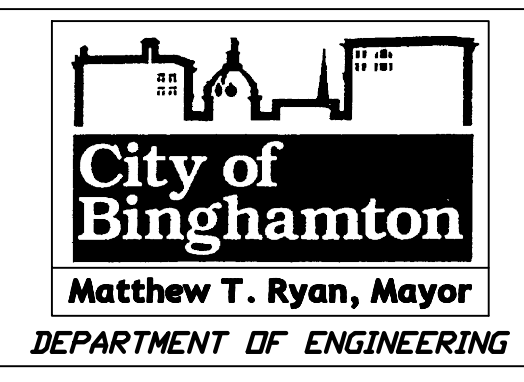
1. PRECAST REINFORCED CONCRETE UNITS SHALL CONFORM TO THE REQUIREMENTS OF A. S. T. M. DESIGNATIONS C-478-78a PRECAST CONCRETE MANHOLE RISERS AND TOPS.
2. ALL PRECAST UNITS SHALL BE SET ON A MINIMUM OF 4" CRUSHED STONE BEDDING.

REV. MARCH '08 ADD C. I. CB. TRAP TO 204A V.A.R.
 REV. MARCH '05 ADD DRAIN MARKER V.A.R.
 REV. MARCH '04 ADD ITEMS 4 & 2EFB V.A.R.

CATCHBASIN

STANDARD DETAILS

DESIGNED:	C.O.B.
DRAWN:	W.A.R.
CHECKED:	D.J.F.
DATE:	MARCH 2004
SCALE:	NOTED
SHEET:	1 OF 1



DRAWING NO. 201X-XX