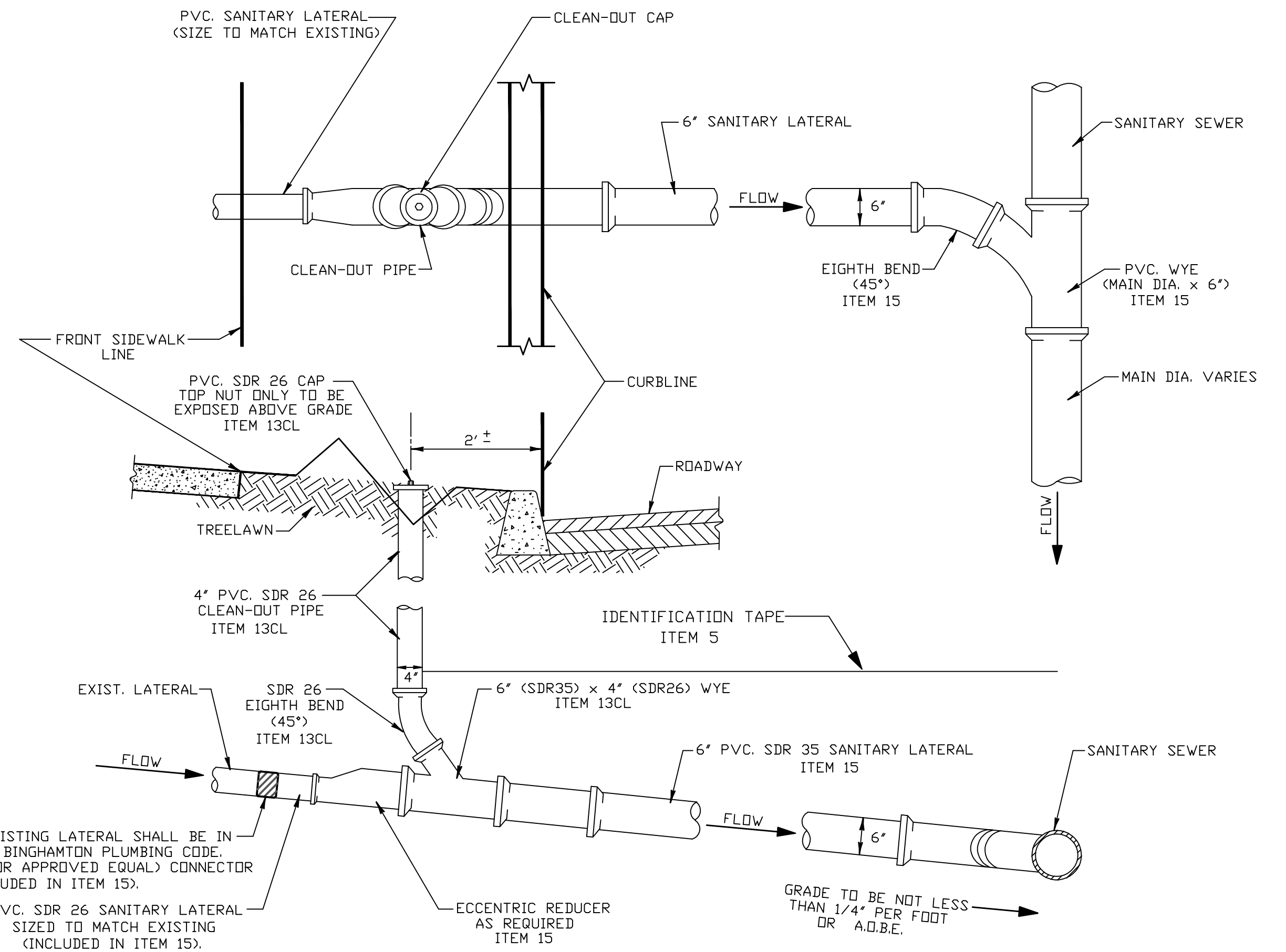


WATER SERVICE DETAIL

NOT TO SCALE

WATER SERVICE NOTES:

1. CONTRACTOR SHALL COMPLY WITH ALL CURRENT CITY OF BINGHAMTON WATER DEPARTMENT POLICIES FOR RECONNECTION OF EXISTING WATER SERVICES.
2. WATER SERVICE EXCAVATION MAY NEED TO BE LEFT OPEN AND GUARDED, OR PLATED, UNTIL WATER METERS ARE CHECKED AND SERVICES TESTED UNDER PRESSURE BY THE WATER DEPARTMENT.
3. IF OTHER UTILITIES ARE ENCOUNTERED DURING THE INSTALLATION OF THE WATER SERVICE THAT WILL AFFECT THE MINIMUM COVER, THEN THE CONTRACTOR IS TO NOTIFY THE INSPECTOR. THE WATER SERVICE SHALL BE INSTALLED UNDER THE UTILITY TO MAINTAIN MINIMUM COVER UNLESS OTHERWISE AUTHORIZED BY ENGINEER.

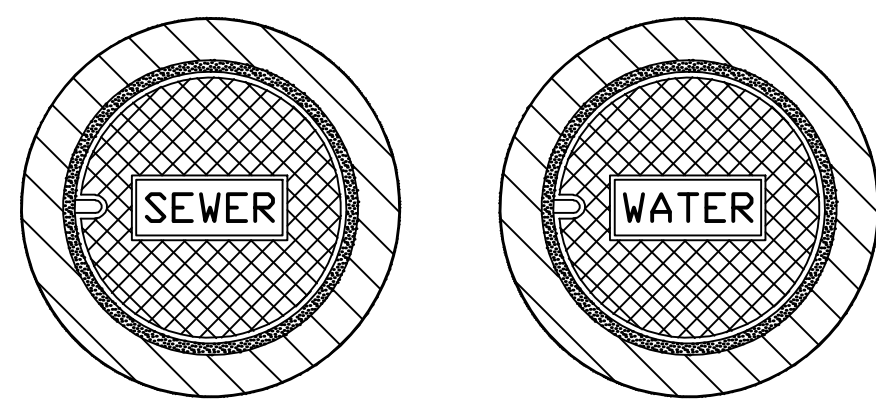


TYPICAL SANITARY SEWER LATERAL & CLEAN-OUT DETAIL

NOT TO SCALE

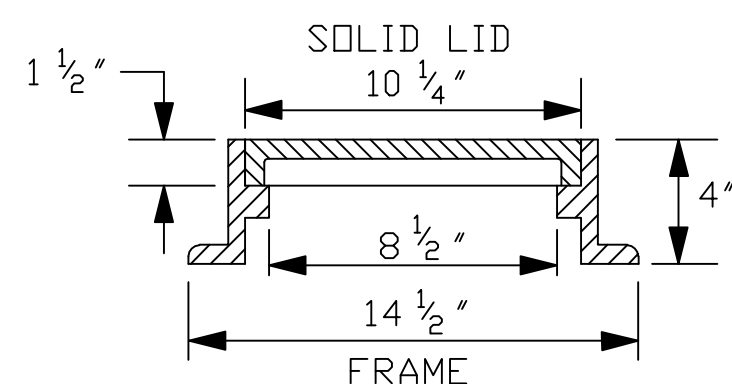
SANITARY SEWER LATERAL NOTES:

1. IN ACCORDANCE WITH CODE RULE 753, IT IS THE CONTRACTORS' RESPONSIBILITY TO LOCATE ALL EXISTING SANITARY SEWER LATERALS WHERE THE "TOLERANCE ZONE" OVERLAPS THE WORK AREA. CONTRACTOR SHALL ASSURE BY HAND DIGGING THAT THE TOP OF EACH LATERAL IS AT LEAST 18" BELOW THE LOWEST POINT OF HIS EXCAVATION. IF THIS IS NOT THE CASE, CONTRACTOR SHALL NOTIFY E.I.C. AND CONCRETE ENCASE OR REPLACE LATERAL A.O.B.E.
2. ANY EXISTING SANITARY SEWER LATERAL DAMAGED DUE TO CONTRACTOR NONCOMPLIANCE WITH CODE 753 OR THE PLANS AND SPECIFICATIONS SHALL BE REPLACED WITH PVC PIPE FROM THE MAIN TO A POINT MIDWAY BETWEEN THE CURB AND SIDEWALK (OR A.O.B.E.), WHERE A NEW CLEAN-OUT SHALL BE INSTALLED. WORK SHALL BE DONE AT THE CONTRACTOR'S EXPENSE.
3. WHERE SEWER MAINS ARE BEING REPLACED BY THE CONTRACTOR, HE SHALL ASSURE THAT ALL LATERALS (UNLESS CLEARLY ABANDONED) ARE CONNECTED TO THE NEW SEWER. IF AT LEAST ONE ACTIVE LATERAL IS NOT FOUND AT EACH PROPERTY, CONTRACTOR SHALL NOTIFY ENGINEER AND PROCEED AS DIRECTED. CONTRACTOR SHALL DETERMINE IF LATERALS ARE ACTIVE BY OBSERVING VISIBLE FLOW.



SOLID LID

NOTE: THE CITY OF BINGHAMTON SHALL FURNISH BRICK CASTINGS (FRAME AND LID) WITH THE WORD "WATER" OR "SEWER" CAST THEREON, OR BLANK, AS APPROPRIATE.



STANDARD "BRICK CASTING"

TO BE SUPPLIED BY THE CITY OF BINGHAMTON

DETAIL

ITEM 221

NEENAH CASTING R-1792 AL (OR APPROVED EQUAL)

NOT TO SCALE

NOTE: BRICK CASTINGS SHALL BE PLACED WHERE WATER SHUT-OFFS OR SEWER CLEAN-OUTS FALL WITHIN CONCRETE SURFACES, OR A.O.B.E.

4/08
DATE

BRICK CASTINGS BY C.O.B.
REVISION

WATER SERVICE & SEWER LATERAL	
DESIGNED: C.O.B.	STANDARD DETAILS
DRAWN: W.A.R.	<p>City of Binghamton Matthew T. Ryan, Mayor DEPARTMENT OF ENGINEERING</p>
CHECKED: D.J.F.	
DATE: MARCH 2004	
SCALE: NOTED	
SHEET: 1 OF 1	DRAWING NO. 201X-XX