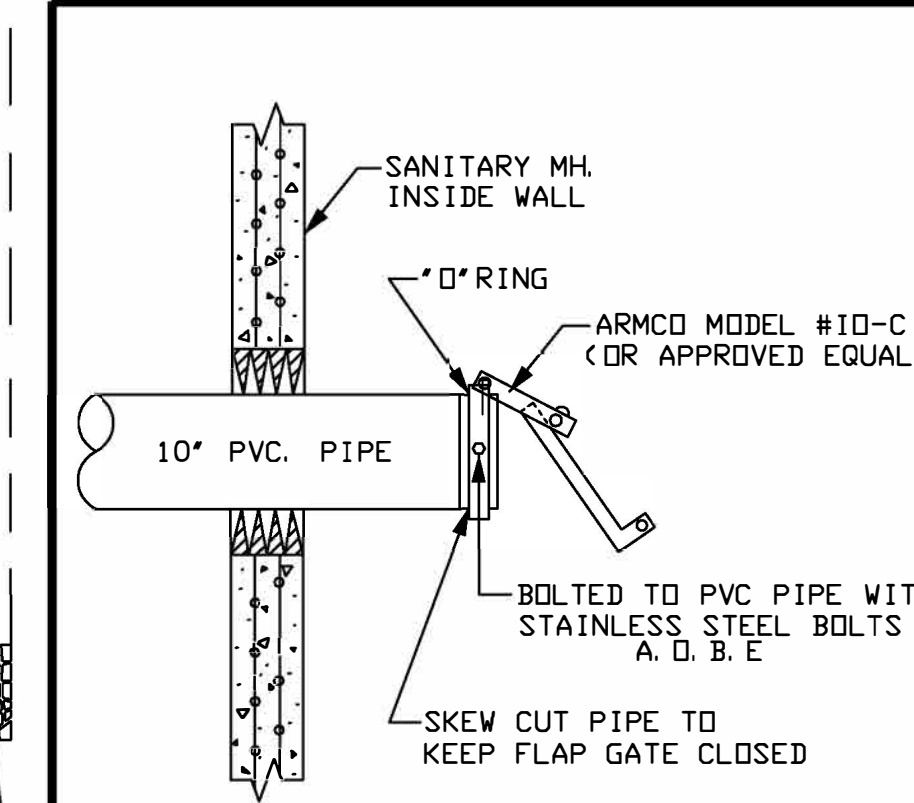
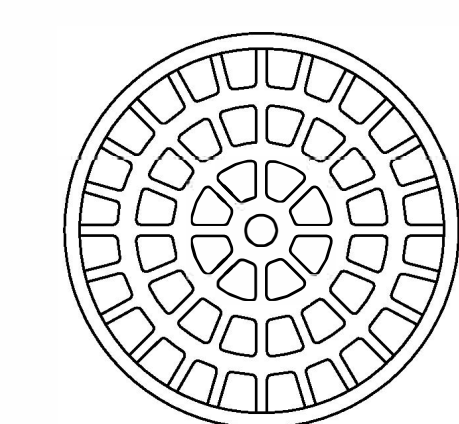


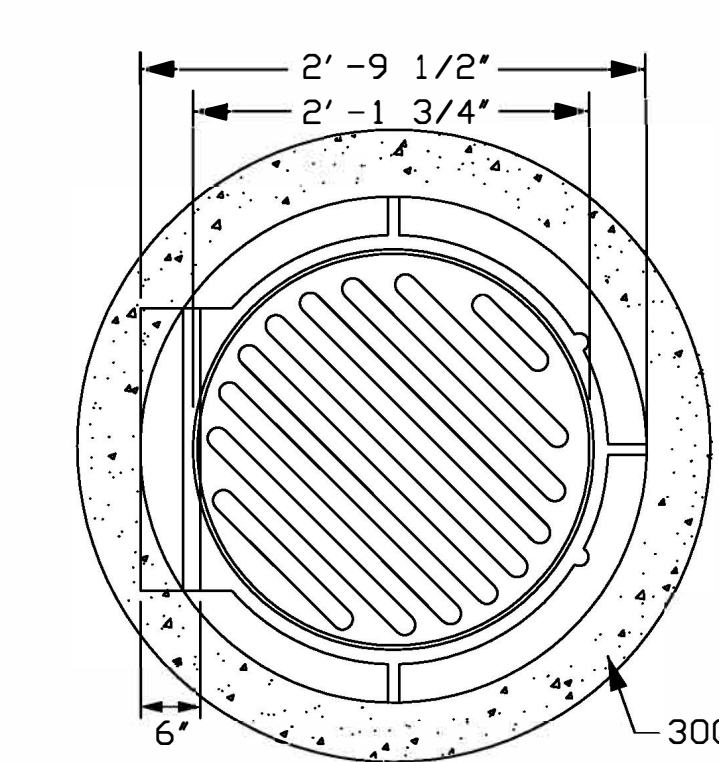
STANDARD CATCHBASIN
ITEM 204V
NO SCALE



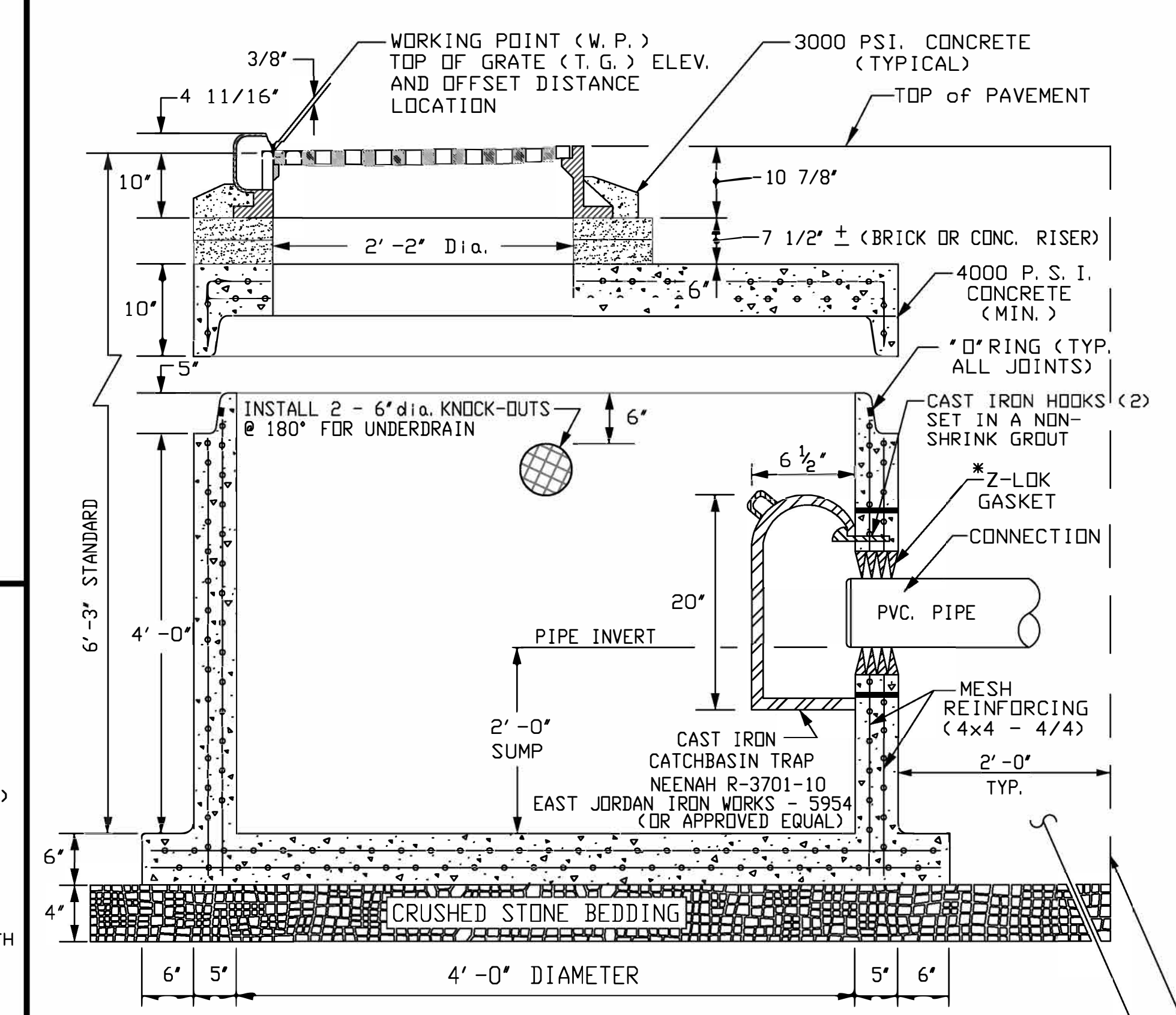
INSTALLATION OF FLAP GATE FOR SANITARY OUTFALL
ITEM 30 FG
NO SCALE



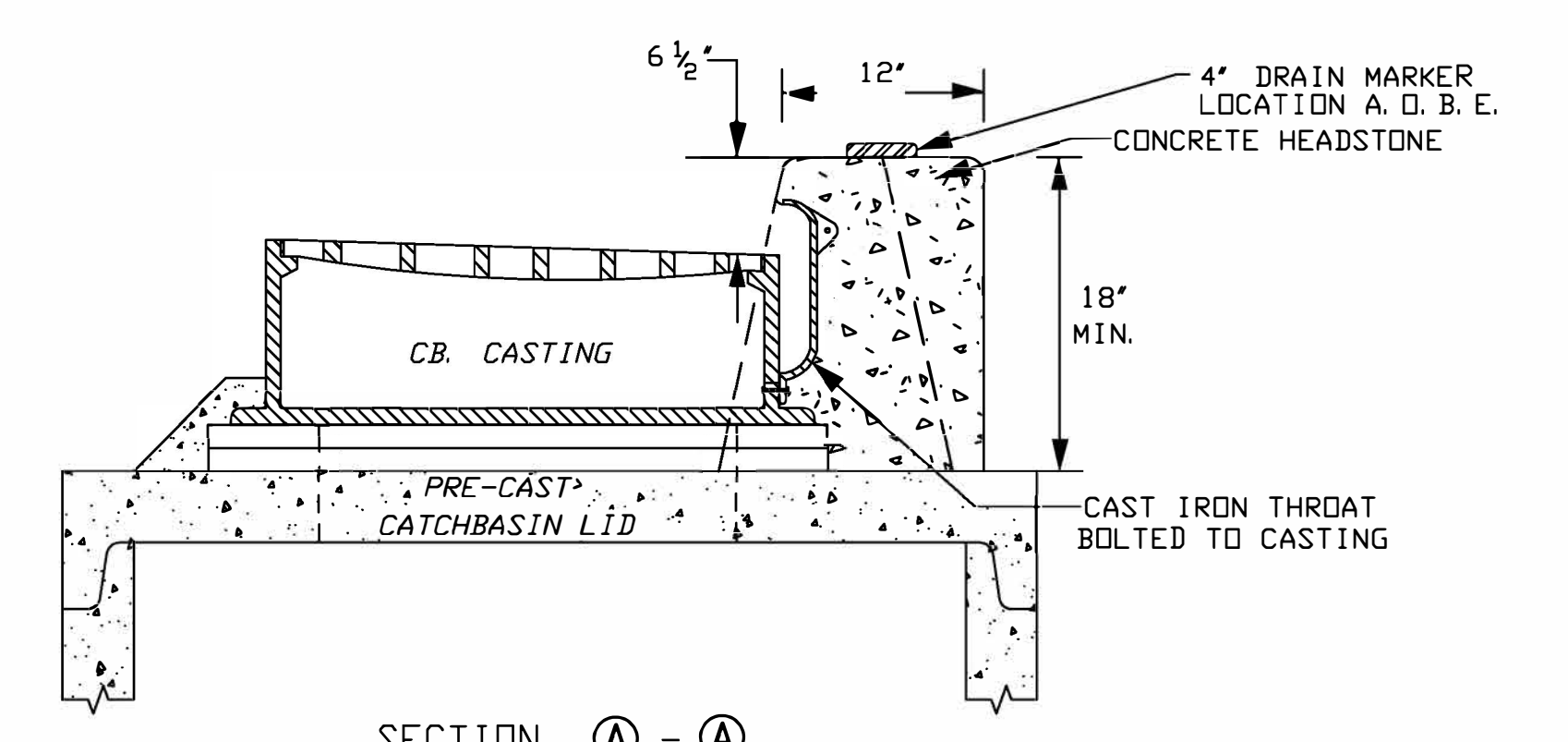
TYPE "C" GRATE
(FOR USE ON ITEM 204BT)



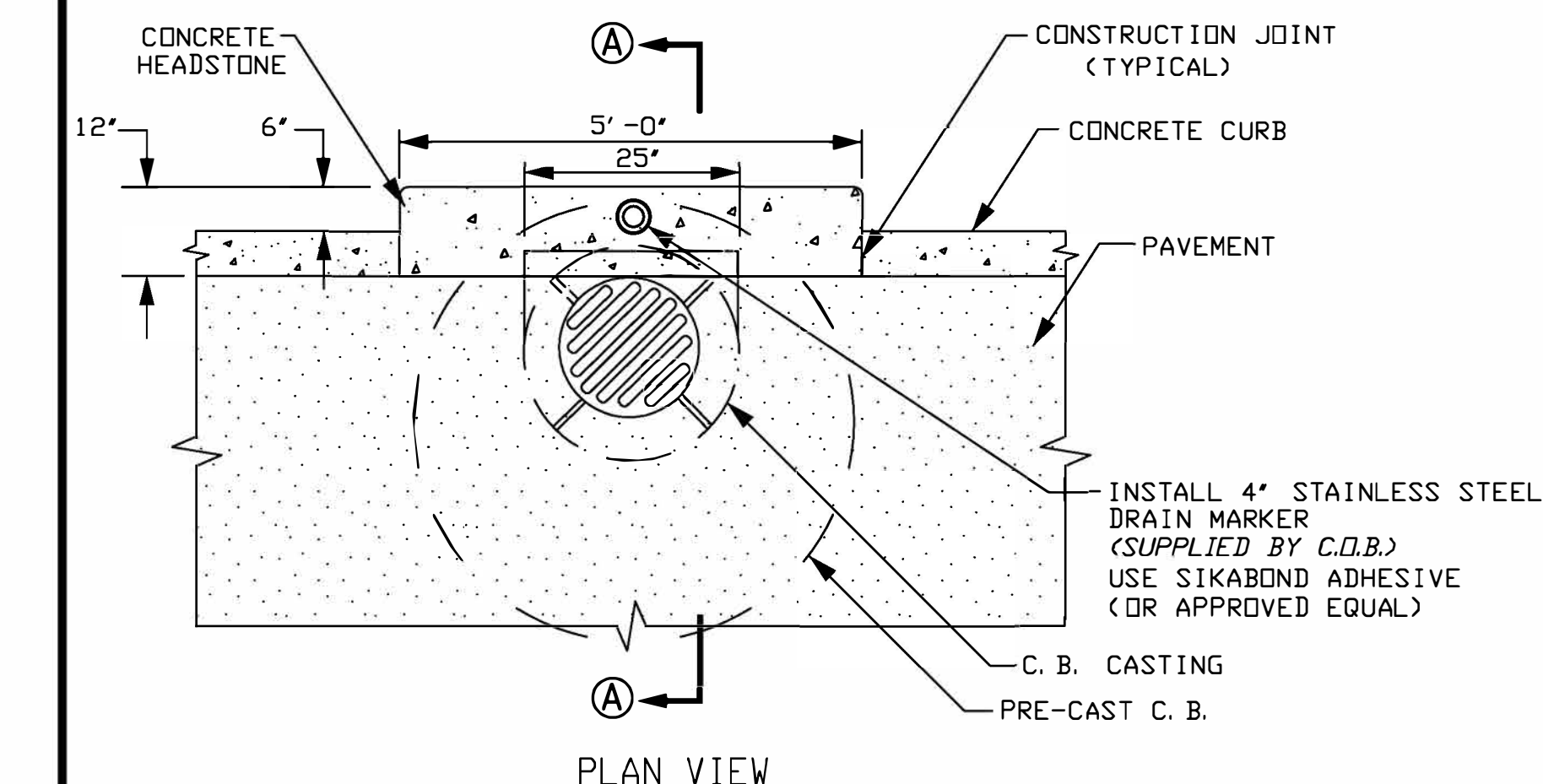
STANDARD 204A CATCHBASIN FRAME, GRATE, & CURB BOX
NEENAH CASTING R-3250-A, EAST JORDAN IRON WORKS 7550
(OR APPROVED EQUAL)
A. S. T. M. A 48-83, CLASS 35
NO SCALE



STANDARD CATCHBASIN - ITEM 204A
ECCENTRIC CATCHBASIN
NO SCALE
* NOTE: Z-LOK GASKETS MAY BE OMITTED IF CONNECTIONS ARE MODIFIED (SEE SPECIFICATIONS).
A 2' TALL x 1' WIDE KNOCK-OUT MAY BE INSTALLED IN LIEU OF Z-LOKS WHEN EXISTING LATERAL IS TO REMAIN.



SECTION A-A



PLAN VIEW

204A CATCHBASIN - HEADSTONE DETAIL
NO SCALE
NOTE: HEADSTONE SHALL BE PAID FOR AS TWICE THEIR MEASURED LENGTH UNDER ITEM 97 OR 97R.

NOTES:

1. PRECAST REINFORCED CONCRETE UNITS SHALL CONFORM TO THE REQUIREMENTS OF A. S. T. M. DESIGNATIONS C-478-78a PRECAST CONCRETE MANHOLE RISERS AND TOPS.
2. ALL PRECAST UNITS SHALL BE SET ON A MINIMUM OF 4" CRUSHED STONE BEDDING.

REV. MARCH '08 ADD C. I. CB. TRAP TO 204A W.A.R.
REV. MARCH '05 ADD DRAIN MARKER W.A.R.
REV. MARCH '04 ADD ITEMS 4 & 2EFB W.A.R.

CATCHBASIN STANDARD DETAILS

DESIGNED: C.O.B.	 DEPARTMENT OF ENGINEERING
DRAWN: W.A.R.	
CHECKED: D.J.F.	
DATE: MARCH 2004	
SCALE: NOTED	
SHEET: ? OF ?	DRAWING NO. 2015

File name: K:\Standard Details Layout\dwg\ACAD-2012 Autocad version.dwg Tab Name: Catchbasin Apr 16, 2015-10:41am jellinsky