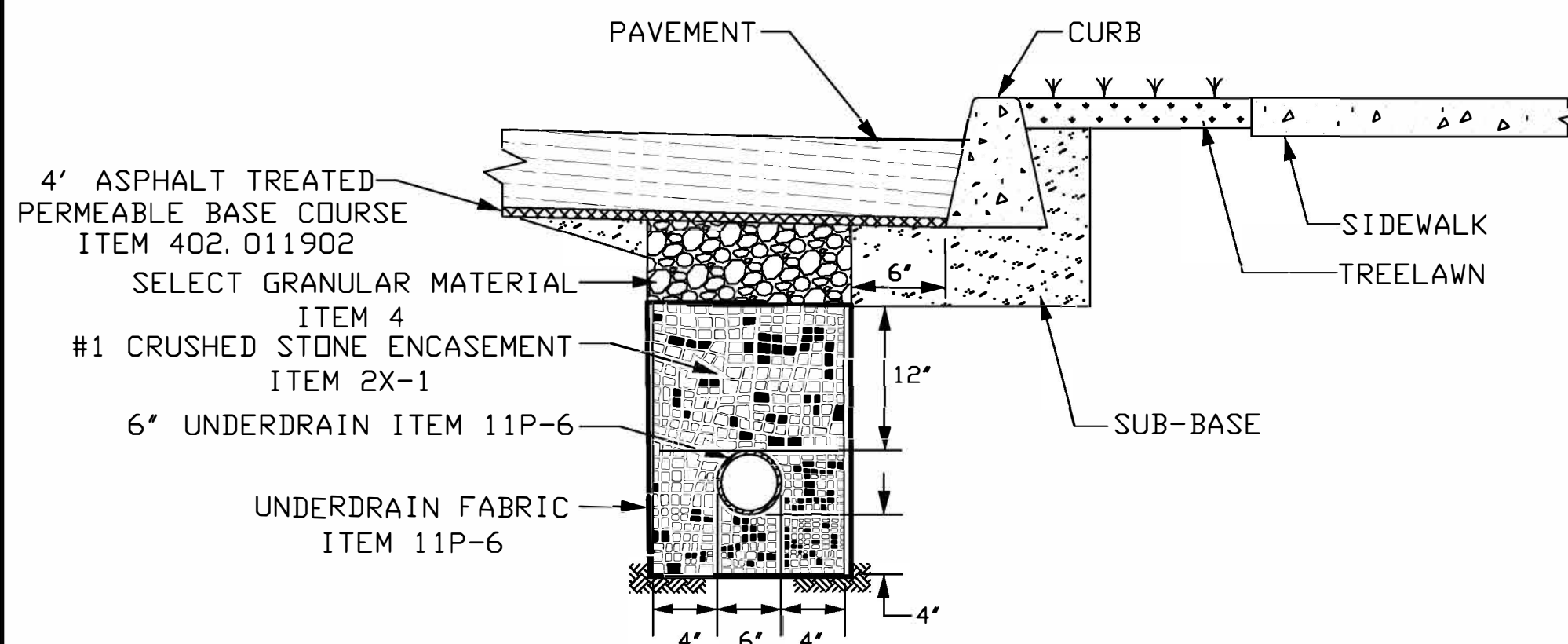


CLEAN-OUT DETAIL ITEM 11PX-6
N.T.S.



NOTE: TRENCH EXCAVATION PAID UNDER ITEM 5-1 & FABRIC PAID UNDER ITEM 11P-6


UNDERDRAIN DETAIL ITEM 11P-6
N.T.S.

NOTES:

- 1) CONTRACTOR SHALL ENSURE THAT ALL SURFACES GRADE TO DRAIN. WHERE TYPICAL SIDEWALK & TREELAWN SLOPE OF 1/4" PER FOOT DOES NOT ACHIEVE THIS, AND MATCH EXISTING BACK OF WALK ELEVATIONS, THEN TREELAWN AND SIDEWALK SLOPES SHALL BE ADJUSTED AS APPROVED BY ENGINEER OR HIS DESIGNATED REPRESENTATIVE.
- 2) DIMENSIONS OF TYPICAL SECTION MAY VARY TO MEET EXISTING STREET CONDITIONS, AS INDICATED ON THE PLANS, OR AS ORDERED BY THE ENGINEER (A. O. B. E.).
- 3) ITEM 407.0102 - DILUTED TACK COAT - SHALL BE USED BETWEEN ALL HMA ASPHALT LAYERS.

REV. FEBRUARY 2005 ADD SUPERPAVE MIX JEL. W.A.R.
REV. MARCH '04 ADD ITEM 4, DELETE ITEM 2C7F9
DATE REVISION

**TYPICAL STREET SECTIONS
SUPERPAVE MIX**

DETAILS	
DESIGNED: C.O.B.	 DEPARTMENT OF ENGINEERING DRAWING NO. 2015
DRAWN: W.A.R.	
CHECKED: D.J.F.	
DATE: MARCH 2005	
SCALE: NOTED	
SHEET: ? OF ?	DRAWING NO. 2015