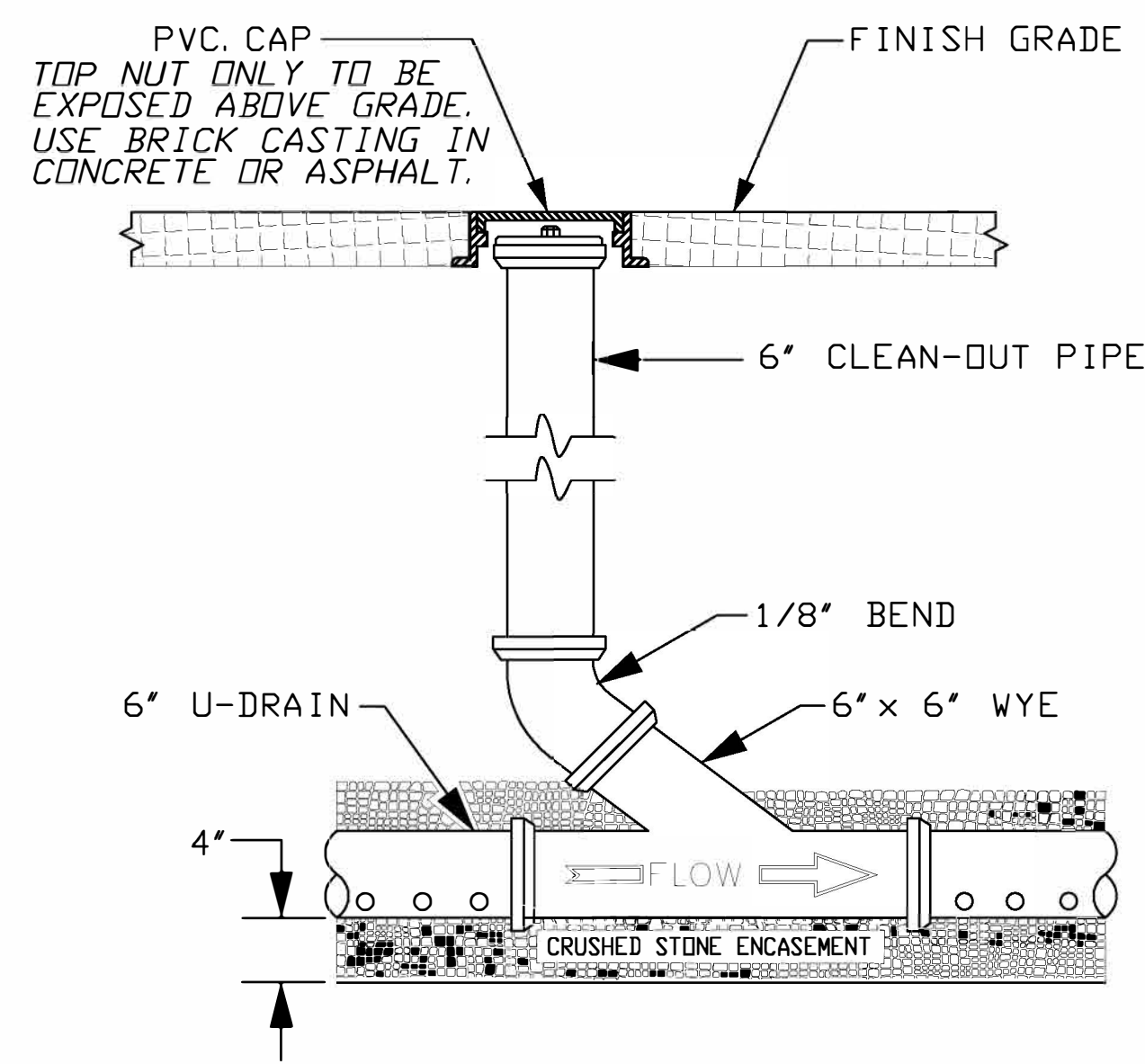
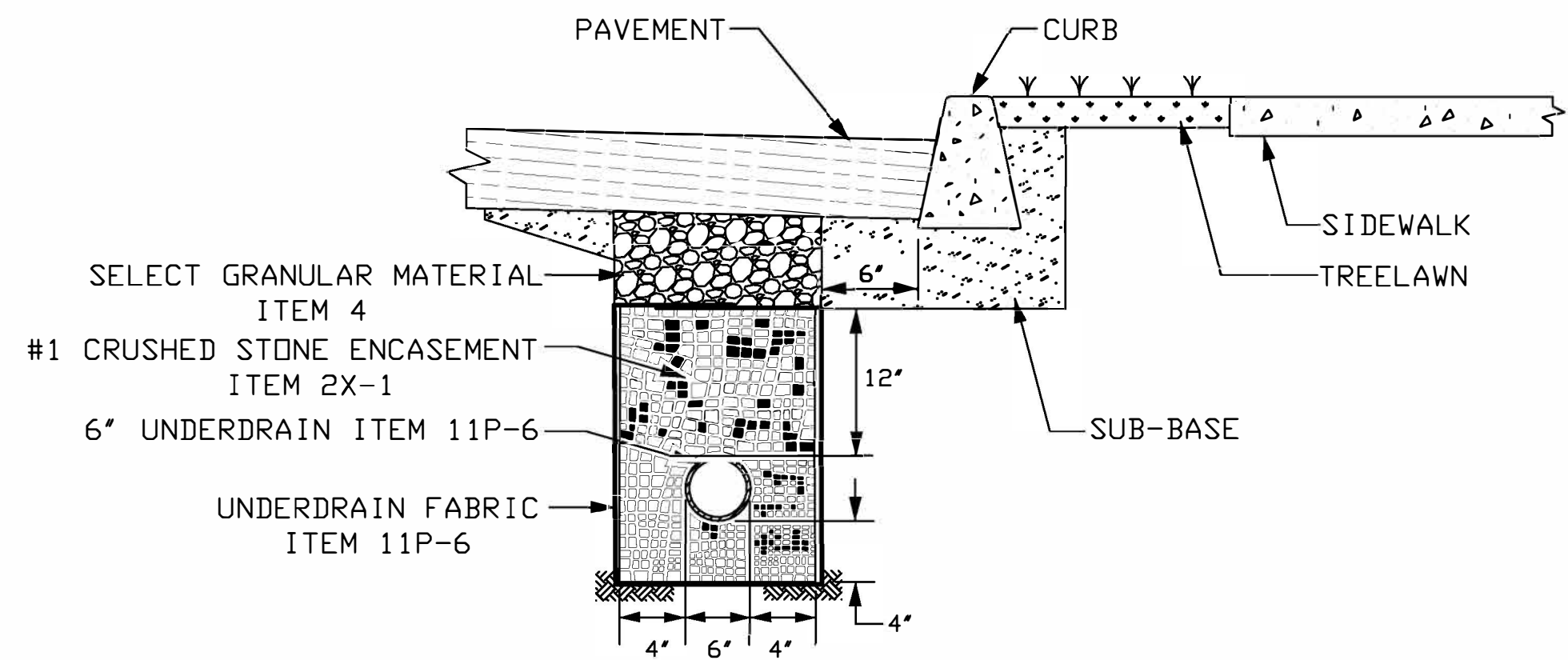


UNSUITABLE MATERIAL TO BE REMOVED UNDER ITEM 2A, "UNCLASSIFIED EXCAVATION". REPLACEMENT TO BE MADE UNDER ITEM 4, "SELECT GRANULAR MATERIAL".




INSTALL CLEAN-OUTS 200' C-C OR A. D. B. E.
CLEAN-OUT DETAIL ITEM 11PX-6
 N.T.S.



NOTE: TRENCH EXCAVATION PAID UNDER ITEM 5-1 & FABRIC PAID UNDER ITEM 11P-6

UNDERDRAIN DETAIL ITEM 11P-6
 N.T.S.

- NOTES:**
- 1) CONTRACTOR SHALL ENSURE THAT ALL SURFACES GRADE TO DRAIN. WHERE TYPICAL SIDEWALK & TREELAWN SLOPE OF 1/4" PER FOOT DOES NOT ACHIEVE THIS, AND MATCH EXISTING BACK OF WALK ELEVATIONS, THEN TREELAWN AND SIDEWALK SLOPES SHALL BE ADJUSTED AS APPROVED BY ENGINEER OR HIS DESIGNATED REPRESENTATIVE.
 - 2) DIMENSIONS OF TYPICAL SECTION MAY VARY TO MEET EXISTING STREET CONDITIONS, AS INDICATED ON THE PLANS, OR AS ORDERED BY THE ENGINEER (A. D. B. E.).

<small>REV. FEBRUARY 2015 ADD MARSHALL MIX JEL V.A.R. REV. MARCH '04 ADD ITEM 4, DELETE ITEM 2E7B V.A.R. DATE REVISION</small>	
TYPICAL STREET SECTION MARSHALL MIX	
DESIGNED: C.O.B.	DETAILS
DRAWN: W.A.R.	 DEPARTMENT OF ENGINEERING
CHECKED: D.J.F.	
DATE: MARCH 2005	
SCALE: NOTED	
SHEET: ? OF ?	DRAWING NO. 2015

File name: K:\Standard Details Layout\dwg\ACAD-2012 Autocad version.dwg Tab Name: X SEC MARSHALL Apr 16, 2015-12:20pm jellinsky